

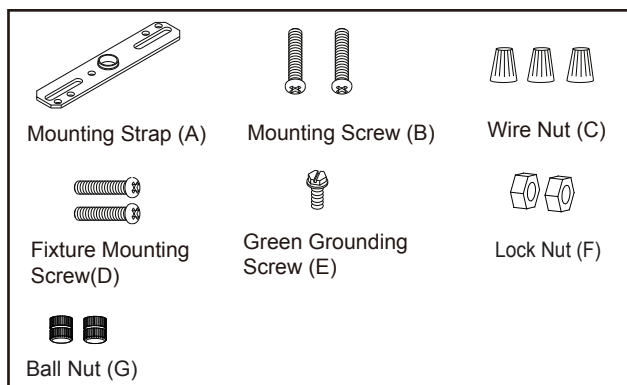
ASSEMBLY AND INSTALLATION INSTRUCTIONS

H0180

WARNING: TO AVOID RISK OF ELECTRICAL SHOCK, BE SURE TO SHUT OFF POWER BEFORE INSTALLING OR SERVICING THIS FIXTURE.

NOTES: 1. Before installing, consult local electrical codes for wiring and grounding requirements.
2. READ AND SAVE THESE INSTRUCTIONS.

Hardware Package (included):



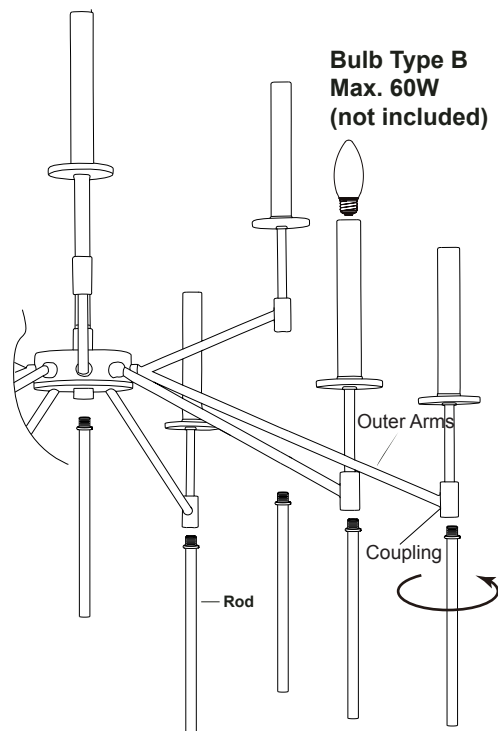
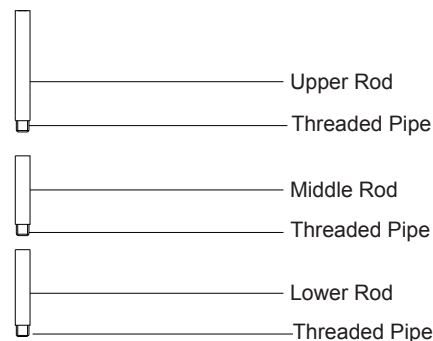
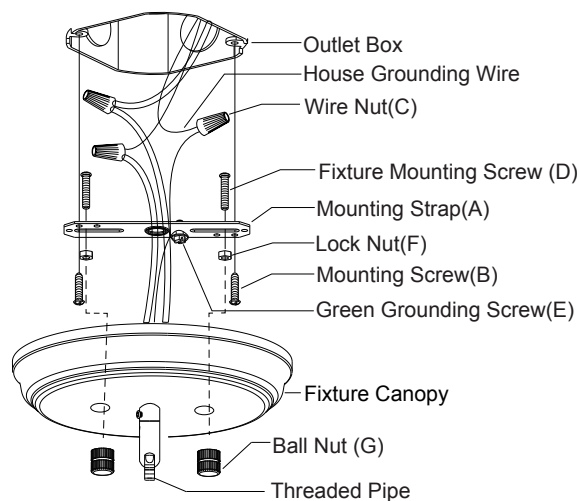
Installation Steps

Turn off the power at fuse or circuit box

- Adjust the outer arms to the right angles.
- Secure rods into the couplings of the light.
- Attach two fixture mounting screws to the mounting strap, and then secure it with two lock nuts. Adjust the length of the fixture mounting screws if necessary.
- Attach the mounting strap to the outlet box using two mounting screws.
- Rod Connections:
 - Thread the fixture wires from the fixture through the lower rod, and then secure the lower rod onto fixture using the threaded pipe.
 - Thread the fixture wires through the middle rod, and then secure the middle rod onto the lower rod using the threaded pipe.
 - Thread the fixture wires through the upper rod, and then secure the upper rod onto the middle rod using the threaded pipe.
 - Thread the fixture wires through the fixture canopy, and then secure fixture canopy onto the upper rod using the threaded pipe.

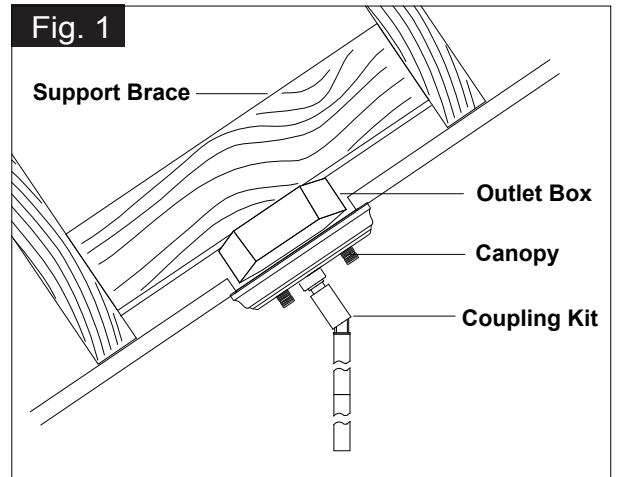
**Note: Height adjustable from 31-3/4" to 73-3/4".
Use fewer rods if shorter length is desired.**
- Pull out the source wires from the outlet box. Make wire connections using wire nuts as follows:
 - Connect the smooth-coated wire (marked) from the fixture to the black wire from the power source.
 - Connect the ribbed-coated wire (unmarked) from the fixture to the white wire from the power source.
 - Attach the fixture grounding wire to the mounting strap with the green grounding screw, and then connect it to the house grounding wire with a wire nut.

Carefully put the wires back into the outlet box.



7. Attach the fixture canopy to the mounting strap by inserting the fixture mounting screws, and then secure it with two ball nuts.
8. Install bulbs (not included). Check relamping label at socket area or packaging for maximum allowed wattage.
9. Angled mounting recommended for a vaulted or angled ceiling. (See Fig. 1)

Turn on the power at fuse or circuit box



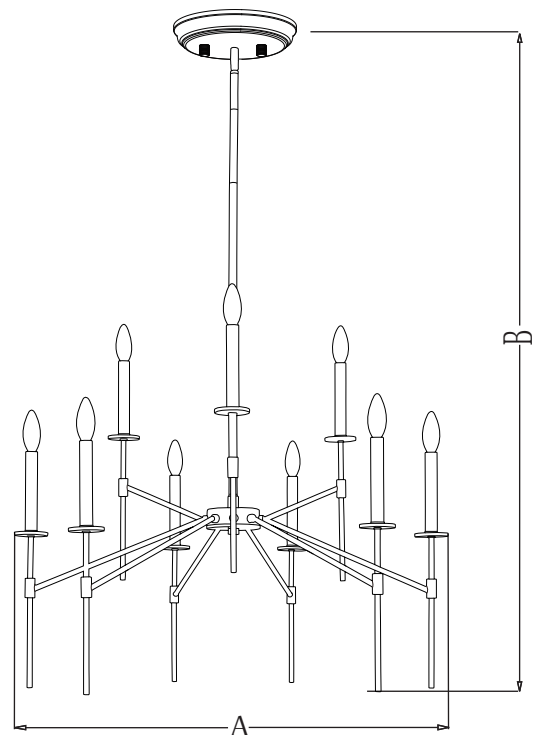
The following parts are available for re-order if damaged or missing.

Spare Parts List:

Mounting Strap (A)	Mounting Screw (B)	Wire Nut (C)
Fixture Mounting Screw (D)	Green Grounding Screw (E)	Lock Nut (F)
		Ball Nut (G)

Mounting Hardware
5665MM (1 SET)

	12" L Rod w/threaded pipe 3078RD
	6" L Rod w/threaded pipe 3077RD
	3" L Rod w/threaded pipe 3076RD



A: 32"

B: 31-3/4"~73-3/4"