

SAFETY INFORMATION

Released Date: 2024-09-18

Please read and understand this entire manual before attempting to assemble, install or operate the product.

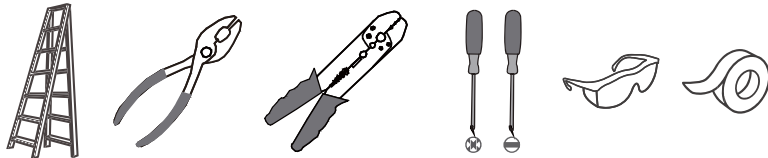
WARNING

- RISK OF ELECTRIC SHOCK - Before beginning installation, turn off electricity at the circuit breaker box or the main fuse box.

CAUTION

- For your safety, read instructions completely before beginning installation.
- If in doubt about electrical installation, consult a licensed electrician.

TOOLS REQUIRED



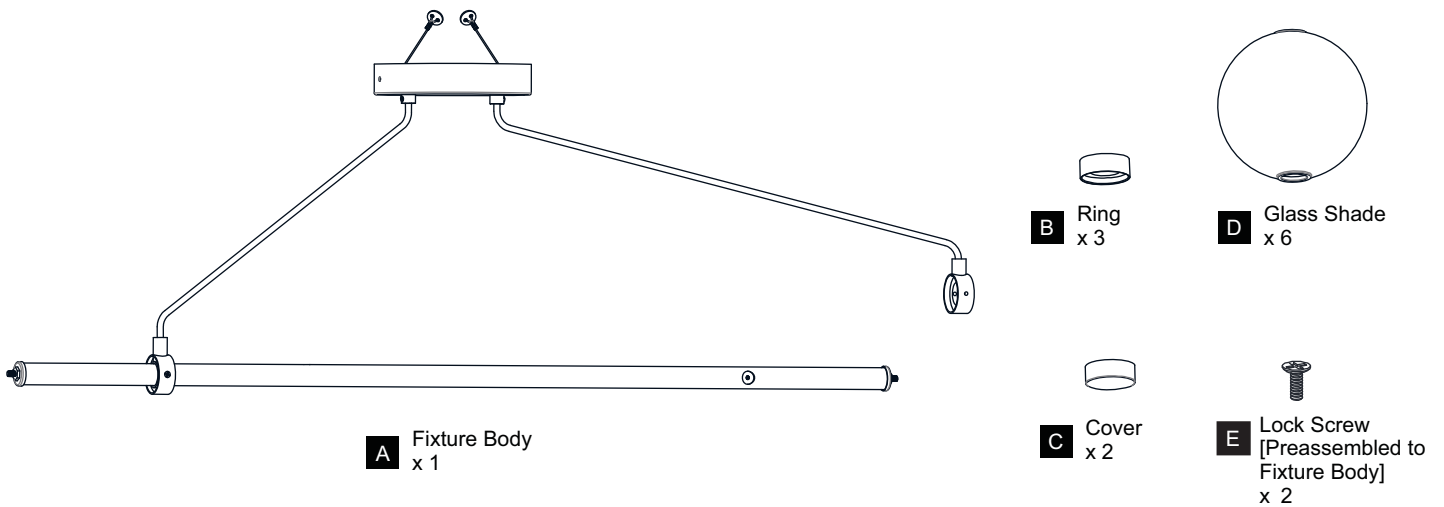
Ratings	120Vac, 60Hz	
	Model No.	Wattage
	PCCAD144MBK	36W

CARE AND MAINTENANCE

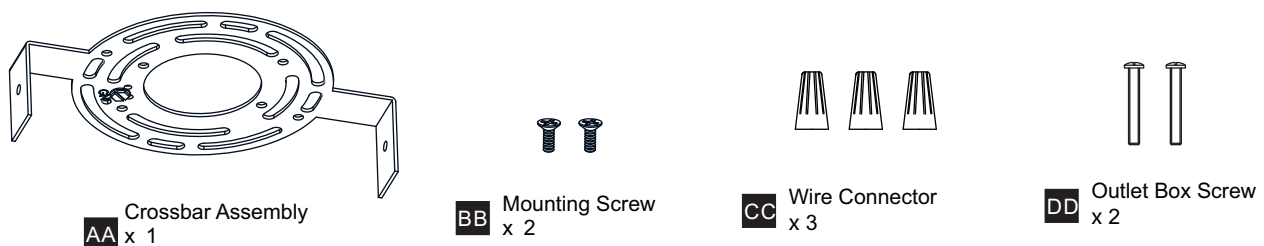
- Wipe clean using soft, dry cloth or static duster. Always avoid using harsh chemicals and abrasives to clean fixture as they may damage the finish.

If you need further assistance call Quoizel Customer Care at 1-800-645-3184 (9:00am - 5:00pm EST), or visit us on-line at www.quoizel.com.

PACKAGE CONTENTS

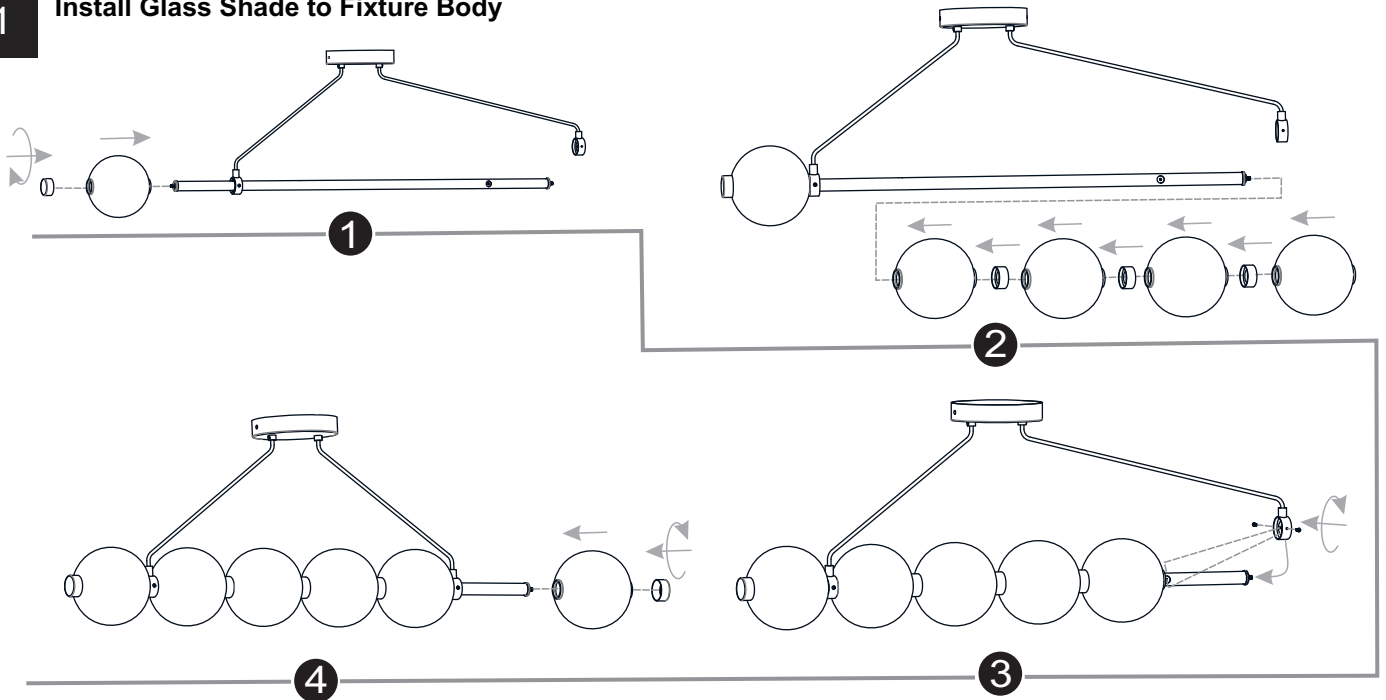


MOUNTING HARDWARE

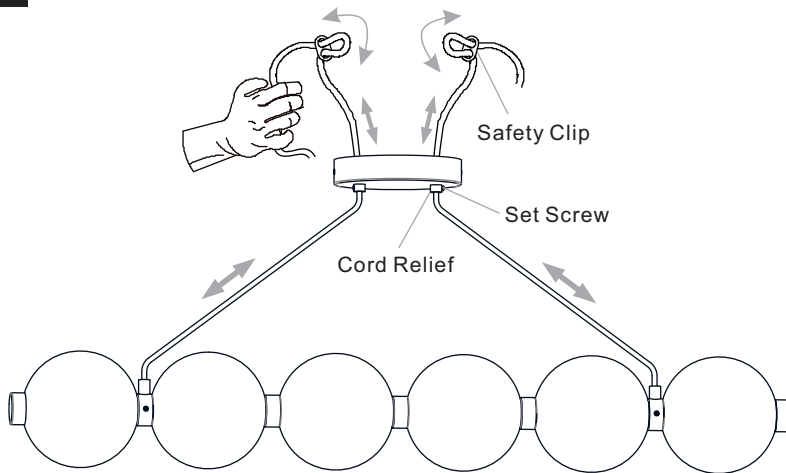


INSTALLATION

1 Install Glass Shade to Fixture Body

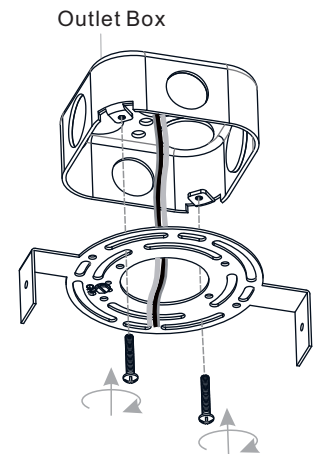


2 Adjust Cord Length: Fixture Height Adjustable 24.25" to 116.25"

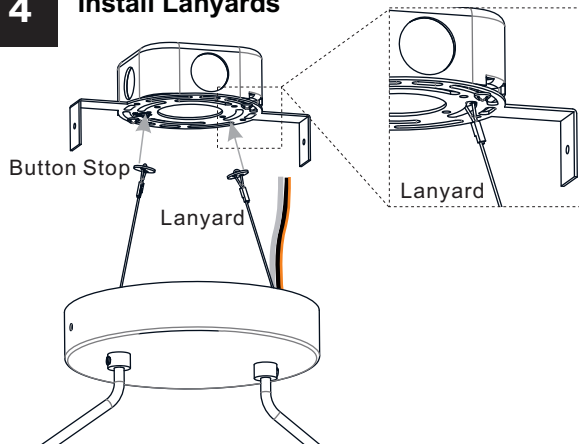


By using screwdriver, loosen the set screw on the cord relief to adjust the cord length. Always tighten the set screw once the desired hanging height is achieved.

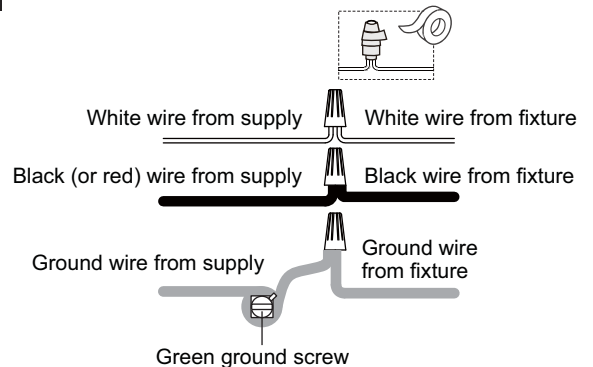
3 Install Crossbar Assembly



4 Install Lanyards

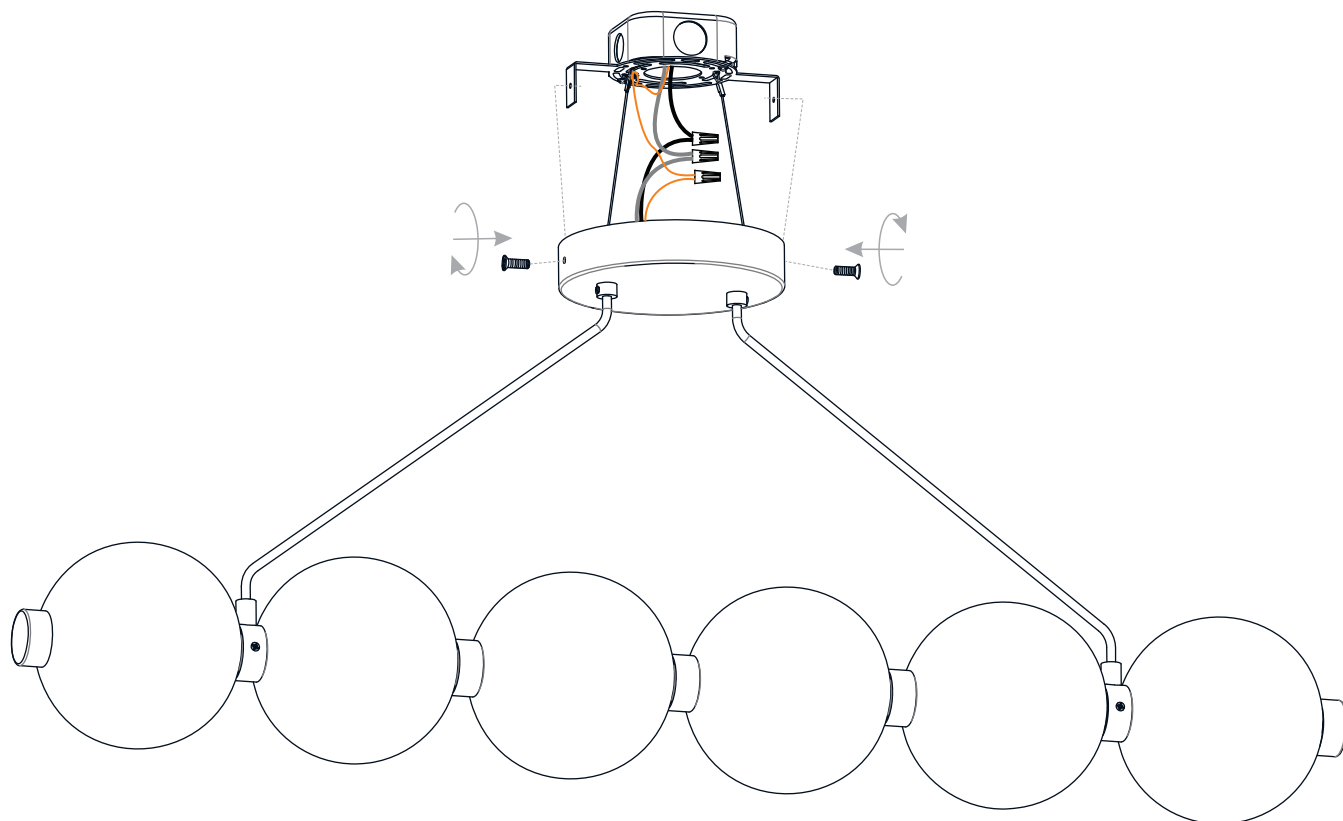


5 Wiring



Your installation is now complete! Restore electricity and save this sheet for future reference.

6 Install Fixture Body to Crossbar Assembly



Your installation is now complete! Restore electricity and save this sheet for future reference.