



**KALCO.**  
Handcrafted Since 1980

# ASSEMBLY & INSTALLATION INSTRUCTIONS

**MODEL: 504151**  
**HUDSON 18" CONVERTIBLE (SEMI FLUSH / PENDANT)**

## I M A G E



FLUSH MOUNT



PENDANT

If you have any questions or problems assembling your fixture please call us for assistance.

Customer Service: (702) 361-4345 or (800) 525-2655  
[customer.services@kalco.com](mailto:customer.services@kalco.com)

**WARNING!** TO REDUCE THE RISK OF FIRE OR INJURY PLEASE TAKE PRECAUTION AND FOLLOW THE STEPS BELOW.

1. If you are unfamiliar with electrical wiring, call a qualified electrician to install this unit. More than one person may be necessary to install fixture, make sure you have enough qualified help.
2. Turn off the power to the fixture's circuit at the service panel. Use a voltage detector to verify that the power is off.
3. DO NOT install bulb which exceeds the maximum wattage specified on the socket label.

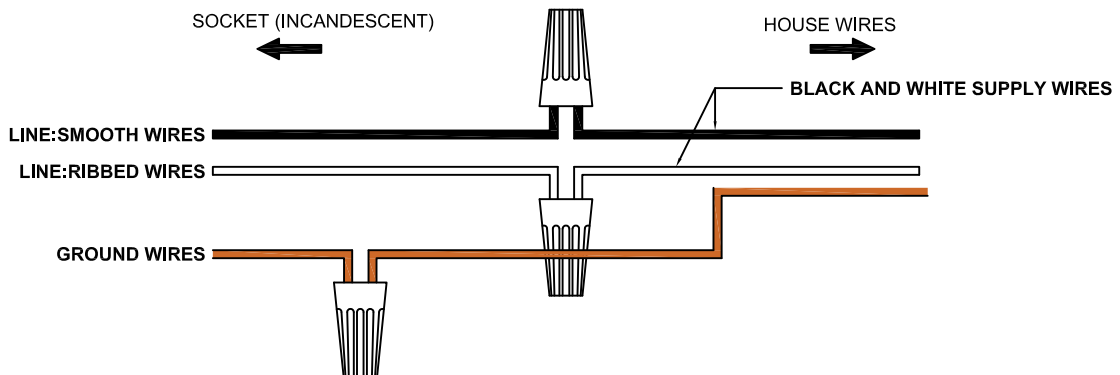
Si vous avez des questions ou des problèmes assemblage de votre dispositif s'il vous plaît appel pour l'assistance.

Customer Service: (702) 361-4345 or (800) 525-2655  
[customer.services@kalco.com](mailto:customer.services@kalco.com)

**AVERTISSEMENT!** POUR RÉDUIRE LES RISQUES D'INCENDIE OU DE BLESSURES S'IL VOUS PLAÎT PRENDRE DES PRÉCAUTIONS ET SUIVEZ LES ÉTAPES CI-DESSOUS.

1. Si vous n'êtes pas familier avec le câblage électrique, appelez un électricien qualifié pour installer cet appareil. Plus d'une personne peut être nécessaire d'installer appareil, assurez vous que vous disposez de l'aide assez qualifié.
2. Coupez l'alimentation au circuit de l'appareil sur le tableau de service. Utiliser un détecteur de tension pour vérifier que l'alimentation est coupée
3. NE PAS installer l'ampoule qui excède la puissance maximale indiquée sur l'étiquette du socket.

## WIRING DIAGRAM





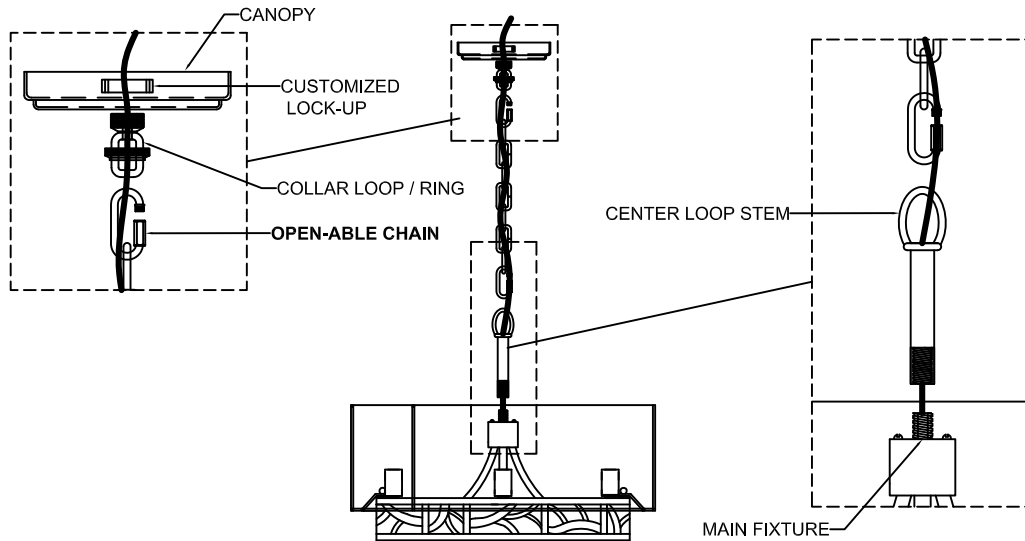
**KALCO.**  
Handcrafted Since 1980

# ASSEMBLY & INSTALLATION INSTRUCTIONS

MODEL: 504151

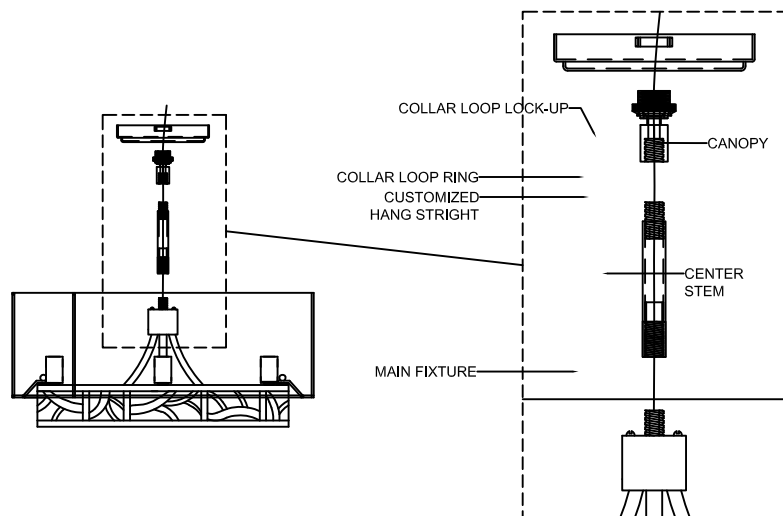
HUDSON 18" CONVERTIBLE (SEMI FLUSH / PENDANT)

## KNOCK DOWN ASSEMBLY 1 (PENDANT OPTION)



**STEP 1:** Determine fixture height and make adjustment on the chain and assemble pendant option as shown.

## KNOCKDOWN ASSEMBLY 2 (SEMI-FLUSH OPTION)



**STEP 2:** Use the center stem provided for semi flush option.



KALCO  
Handcrafted Since 1980

# ASSEMBLY & INSTALLATION INSTRUCTIONS

MODEL: 504151

HUDSON 18" CONVERTIBLE (SEMI FLUSH / PENDANT)

## ELECTRICAL / MOUNTING INSTALLATION

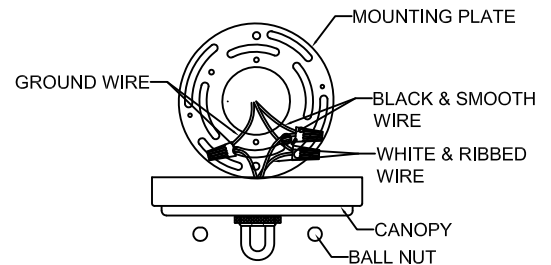
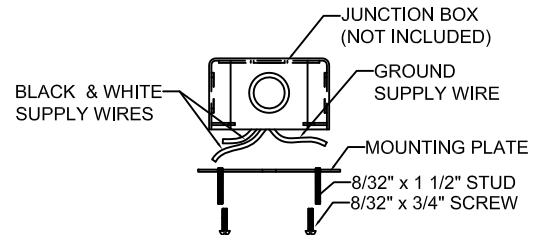
**STEP 3:** Fasten (2) 8-32 x 1 1/2" studs into mounting plate so that they extend away from the ceiling when the mounting plate is installed.

**STEP 4:** Attach mounting plate to outlet box with the (2) 8-32 x 3/4" screws.

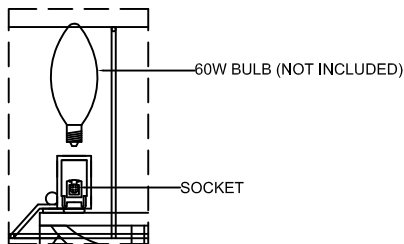
**STEP 5:** Refer to wiring diagram. With wire carefully threaded thru canopy, connect the black supply wire to the smooth fixture wire with wire connector, connect the white supply wire to the ribbed fixture wire with wire connector.

**STEP 6:** Carefully tuck all wires into outlet box ensuring that there are no wires pinched between the canopy and ceiling.

**STEP 7:** Attach the canopy to mounting plated and lock it by using two (2) pcs. of ball nut.



## COMPONENT ASSEMBLY



**STEP 8:** Insert the candle cover to the socket. Install bulb, do not use bulbs that exceed 60Watts.

### LIGHTING MAINTENANCE:

- Regular cleaning of fixture with proper and gentle care using a soft duster, soft lint-free or damp cloth is recommended.
- Refrain from using harsh cleaning liquids that may cause chemical reaction on the hand painted finishes.
- Always refer to the Assembly Instruction before removing any components.
- **HANDLE WITH CARE.**



# ASSEMBLY & INSTALLATION INSTRUCTIONS

MODEL: 504151

HUDSON 18" CONVERTIBLE (SEMI FLUSH / PENDANT)

KALCO  
Handcrafted Since 1980

## PARTS LIST

IMAGE	PARTS NAME	QTY
	X2-A Parts Bag	1 PC
	Screw	2 PCS
	Ball Nut	2 PCS
	Hex Nut	2 PCS
	Stud	2 PCS
	Canopy	1 PC
	Open-able Chain Pendant)	2 PCS
	Chain (4ft.) with Collar Loop (For Pendant)	1 PC
	Fixture Loop ( For Pendant)	1 PC
	Center Stem & Hang Straight & <b>Collar Loop Lock Up</b> (For Semi Flush)	1 PC / Set